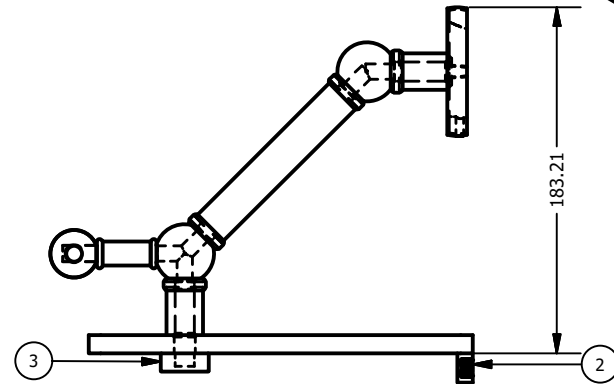
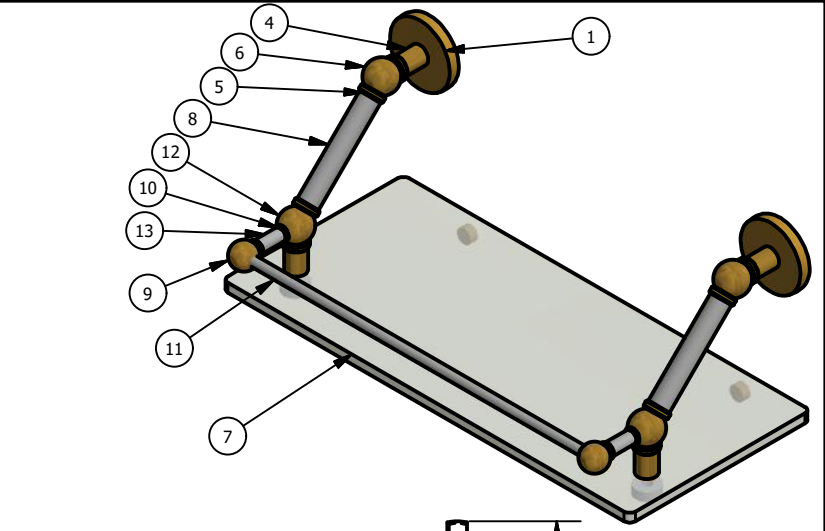
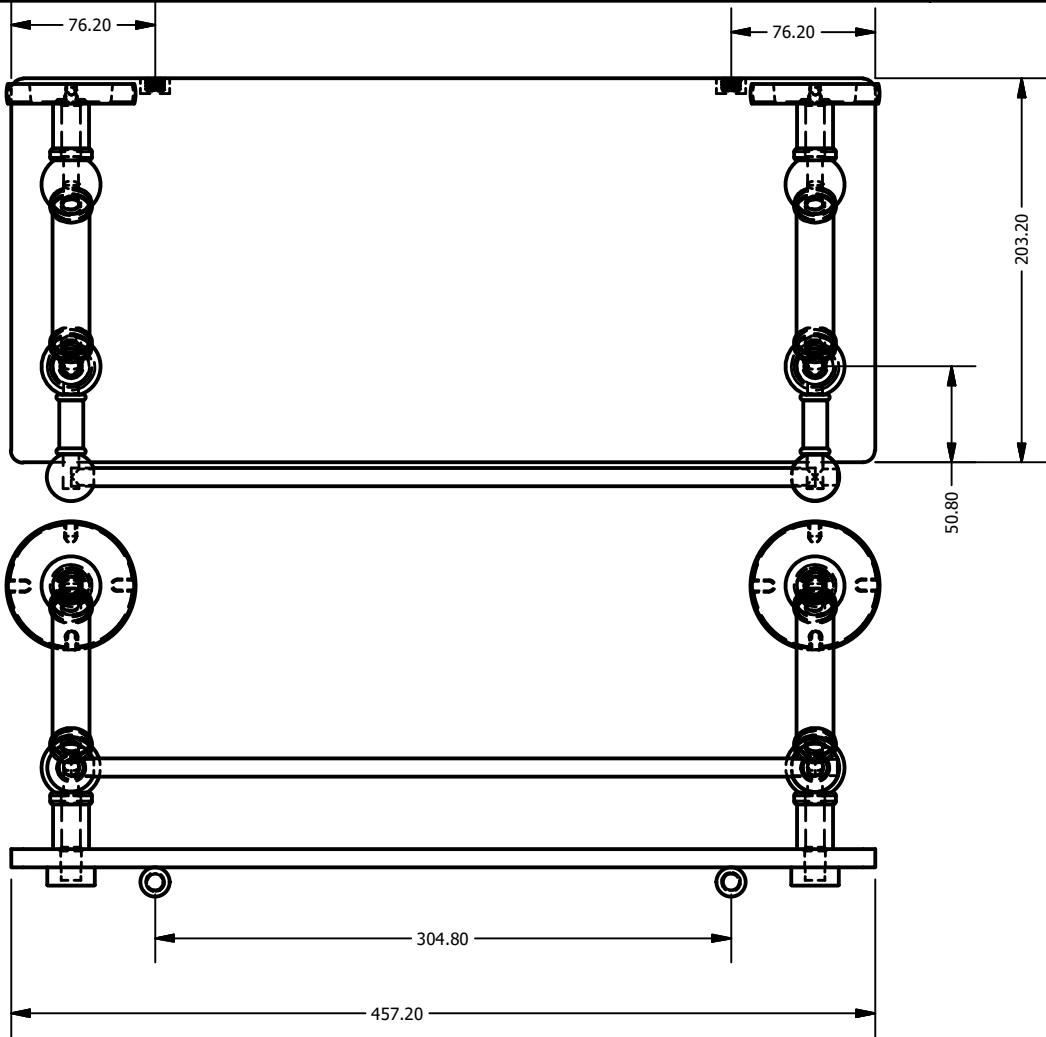


2

1



P1000-1-18-GAL			
ITEM	QTY	PART NUMBER	DESCRIPTION
1	2	BPRD	BACKPLATE
2	2	CARD-58	CAP
3	2	CARD-1	CAP
4	4	PSRD-1	Neck
5	8	CRRD2-34	DOUBLE CHECK RING
6	2	BL2TD-135-1.25	2 TAP FOR GLASS SHELF
7	1	GLRT-8X18	GLASS
8	2	TU-34-4	TUBE
9	2	BL2T-1	HUB
10	4	CRRD-12	CHECK RING
11	1	TU38-15.5	GALLERY TUBE
12	2	BL3TD-135-1.25	3 TAP FOR GLASS SHELF
13	2	TU12-1	TUBE

**APPROVED FOR PRODUCTION**  
 By: RICHARD PAUL  
 Date: 10-15-18

UNLESS OTHERWISE SPECIFIED	
.X	± .3mm
.XX	± .15mm
.XXX	± .008mm

UNIT IS IN MM.

DRAWN	10-15-18	IM	
CHECKED	10-15-18	P.D.	
APPROVED	10-15-18	R.A.	

MATERIAL: BRASS  
 DESCRIPTION: Prestige Skyline Collection  
 18 Inch Floating Glass Shelf  
 with Gallery Rail



FINISH	TBD
QTY	TBD
DRAWING NO.	P1000-1-18-GAL
SCALE	1.5:1
SHEET	1 OF 1
REV	0
	A4

2

1